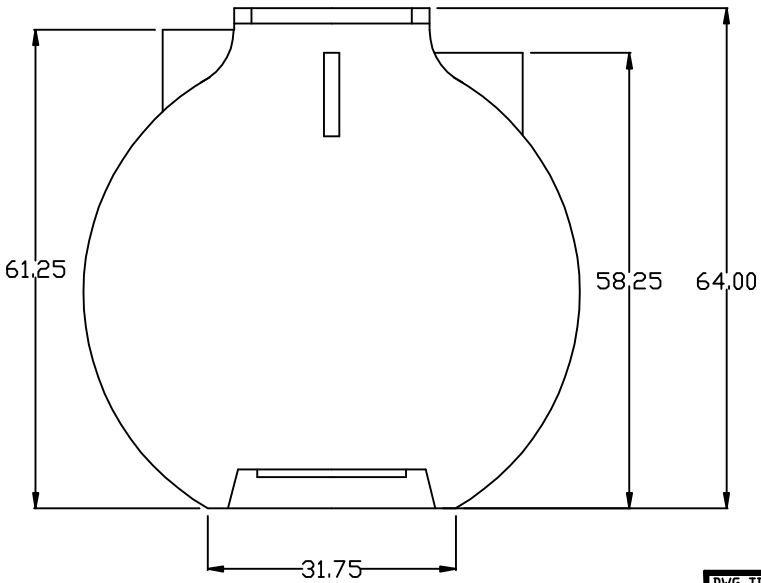
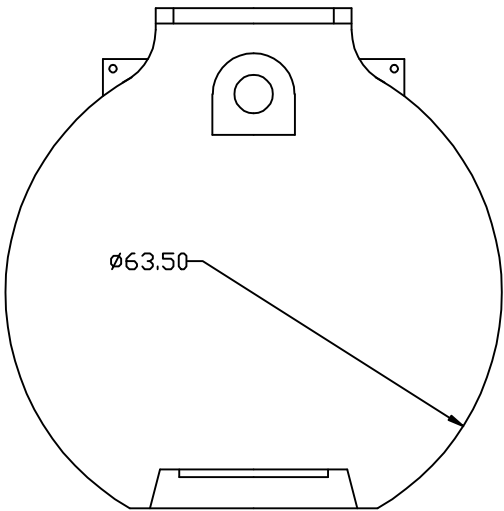
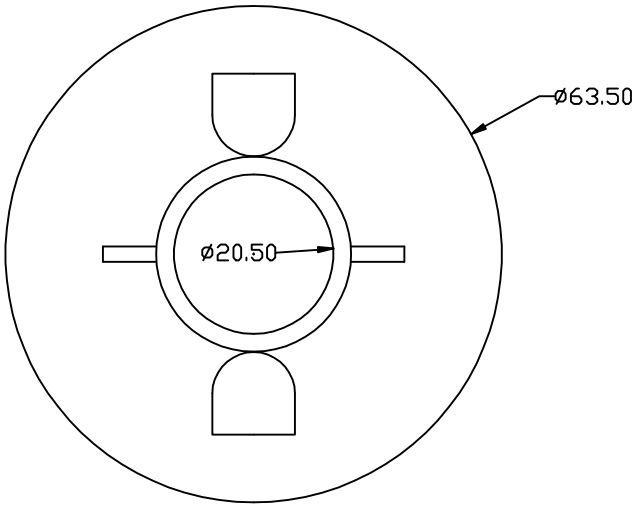


NOZZLE SCHEDULE & ACCESSORIES					
SERVICE	STOCK NO.	SIZE	FITTING	DEG	ELEV



- NOTES**
1. THIS IS A COMPUTER GENERATED DWG. DO NOT REVISE BY HAND.
 2. DIMENSIONS WILL VARY ±3% DUE TO VARIATIONS IN MULTIPLE MOLDS & CONDITIONS PREVALENT DURING MANUFACTURE & USAGE.
 3. MATERIAL OF CONSTRUCTION - HIGH DENSITY POLYETHYLENE
 4. TANK RATING - 1.5 SPECIFIC GRAVITY
 5. VOLUME - 550 U.S. GALLONS

DWG TITLE			
BELOW GROUND CISTERN CIS550			
SCALE: NTS	DYNAMIC PLASTIC SOLUTIONS INC.		DR: DTI
DATE: 27/07/09	1-866-559-2357		CK:
PROJECT:	SHEET	COMPUTER FILE	REV
PLASTIC CISTERN TANK	1 OF 1	CIS550	