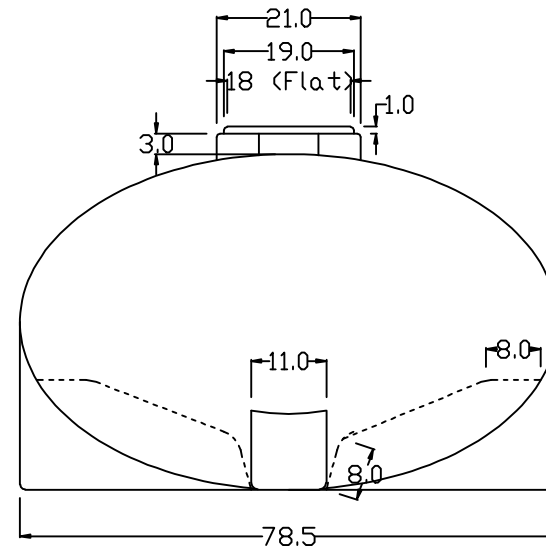


NOZZLE SCHEDULE & ACCESSORIES				
SERVICE	STOCK NO.	SIZE	FITTING	ELEV



NOTES

1. THIS IS A COMPUTER GENERATED DWG. DO NOT REVISE BY HAND.
2. DIMENSIONS WILL VARY ±3% DUE TO VARIATIONS IN MULTIPLE MOLDS & CONDITIONS PREVALENT DURING MANUFACTURE & USAGE.
3. MATERIAL OF CONSTRUCTION - HIGH DENSITY POLYETHYLENE
4. TANK RATING 1.5 SPECIFIC GRAVITY
5. VOLUME 1035 U.S. GALLON

DWG TITLE				
ELLIPTICAL LEG TANK 1035 U.S. GALLONS				
SCALE:	DYNAMIC PLASTIC SOLUTIONS INC.			DR:
DATE: 2/21/09	1-866-559-2357			CK:
PROJECT:	EL1035	SHEET	COMPUTER FILE	REV
		1 OF 1	EL1035	