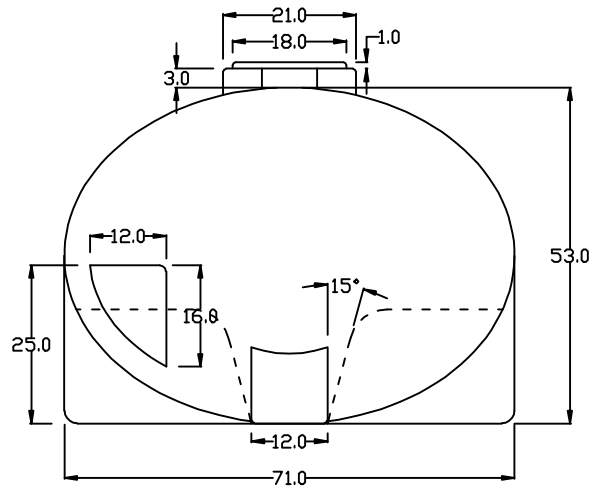
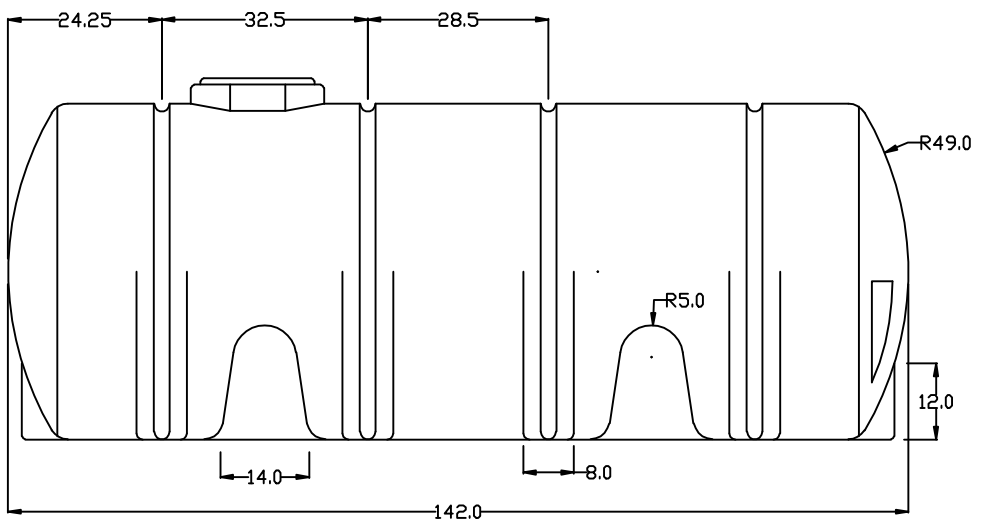
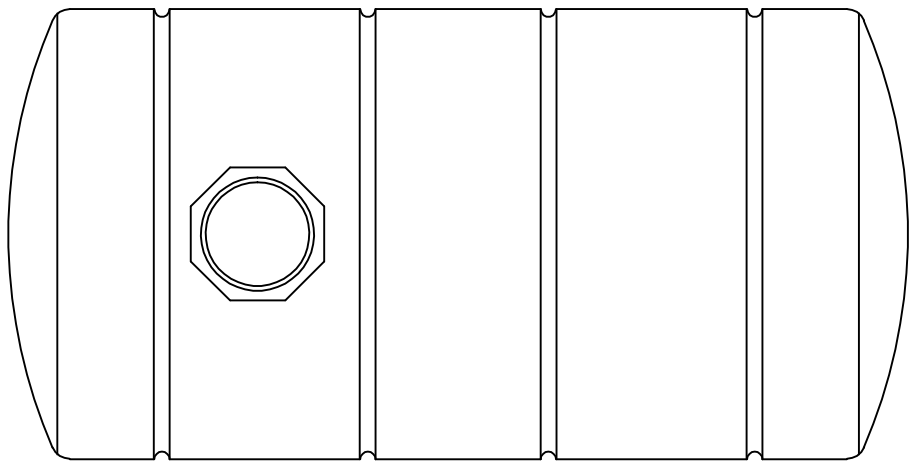


NOZZLE SCHEDULE & ACCESSORIES				
SERVICE	STOCK NO.	SIZE	FITTING	ELEV



- NOTES**
1. THIS IS A COMPUTER GENERATED DWG. DO NOT REVISE BY HAND.
  2. DIMENSIONS WILL VARY ±3% DUE TO VARIATIONS IN MULTIPLE MOLDS & CONDITIONS PREVALENT DURING MANUFACTURE & USAGE.
  3. MATERIAL OF CONSTRUCTION - HIGH DENSITY POLYETHYLENE
  4. TANK RATING 1.5 SPECIFIC GRAVITY
  5. VOLUME 1635 U.S. GALLON

DWG TITLE				
ELLIPTICAL LEG TANK 1635 U.S. GALLONS				
SCALE:	DYNAMIC PLASTIC SOLUTIONS INC.			DR:
DATE: 3/21/09	1-866-559-2357			CK:
PROJECT:	SHEET	COMPUTER FILE	REV	
EL1635	1 OF 1	EL1635		