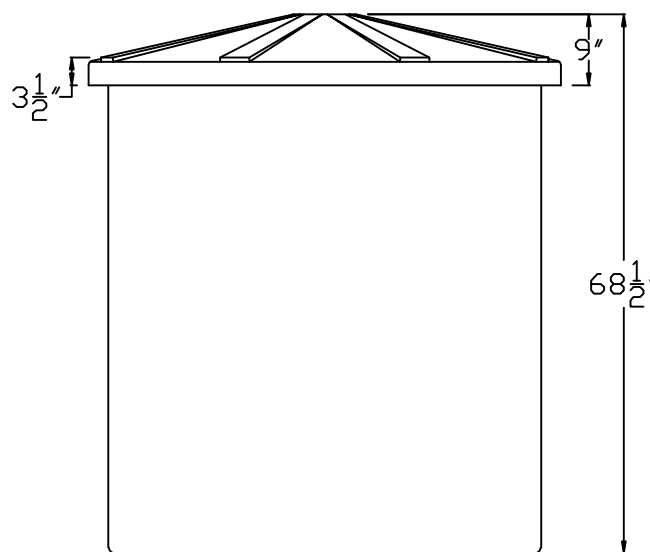
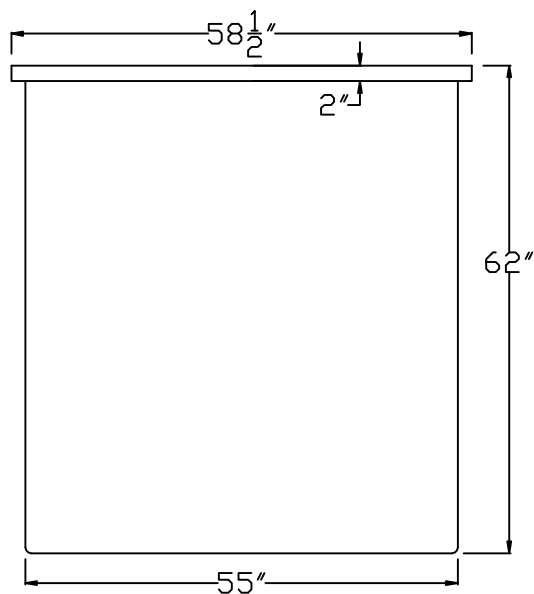


Lid Top View



NOTES

1. THIS IS A COMPUTER GENERATED DWG. DO NOT REVISE BY HAND.
2. DIMENSIONS WILL VARY ±3% DUE TO VARIATIONS IN MULTIPLE MOLDS & CONDITIONS PREVALENT DURING MANUFACTURE & USAGE.
3. MATERIAL OF CONSTRUCTION - HIGH DENSITY POLYETHYLENE
4. TANK RATING 1.5 SPECIFIC GRAVITY
5. VOLUME 500 IMPERIAL GALLON

DWG TITLE			
OPEN TOP VERTICAL TANK 500 IMPERIAL GALLONS			
SCALE:	DYNAMIC PLASTIC SOLUTIONS INC.		DR:
DATE: 01/04/12	1-866-559-2357		CK:
PROJECT:	SHEET	COMPUTER FILE	REV
DT500	1 OF 1	DT500	