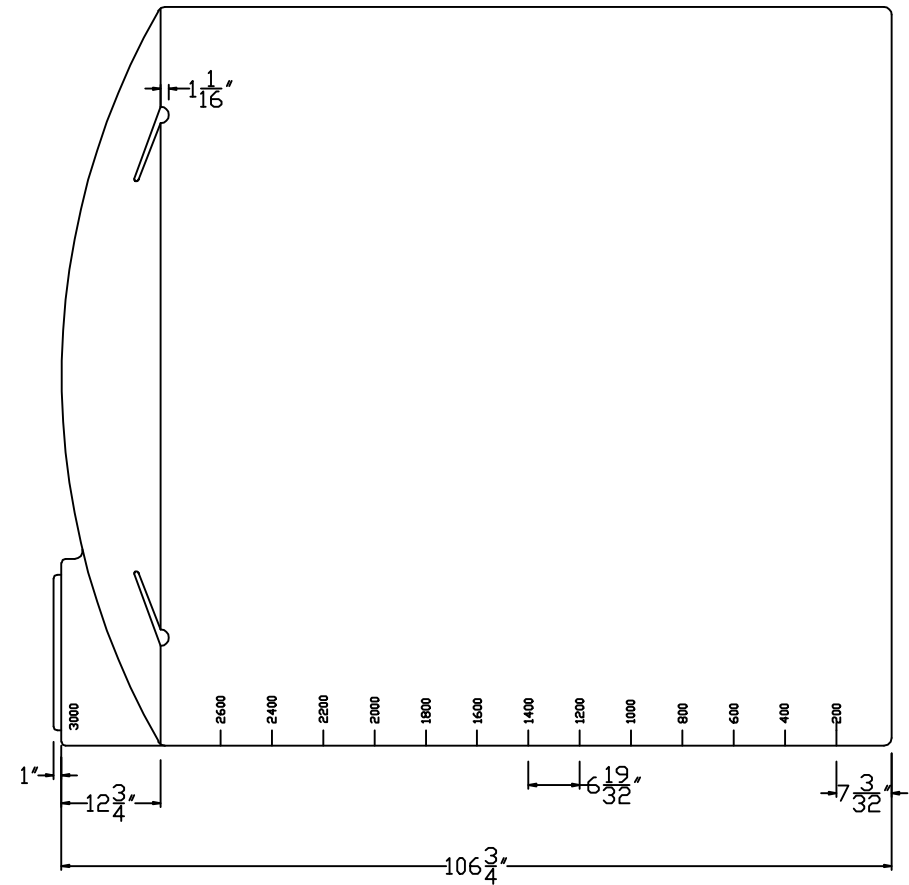
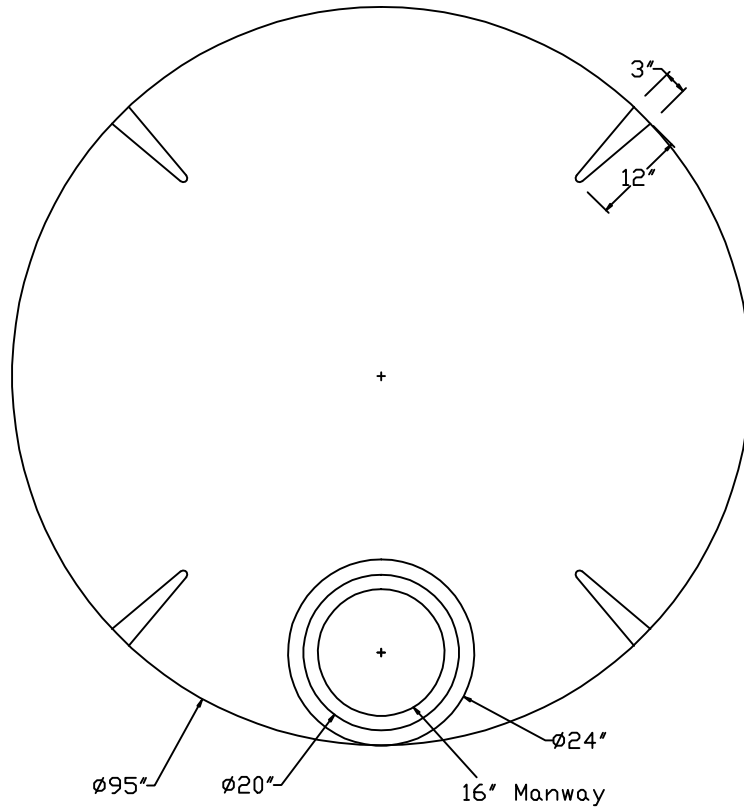


| NOZZLE SCHEDULE & ACCESSORIES | | | | |
|-------------------------------|-----------|------|---------|------|
| SERVICE | STOCK NO. | SIZE | FITTING | ELEV |
| | | | | |
| | | | | |



NOTES

1. THIS IS A COMPUTER GENERATED DWG. DO NOT REVISE BY HAND.
2. DIMENSIONS WILL VARY ±3% DUE TO VARIATIONS IN MULTIPLE MOLDS & CONDITIONS PREVALENT DURING MANUFACTURE & USAGE.
3. MATERIAL OF CONSTRUCTION - HIGH DENSITY POLYETHYLENE
4. TANK RATING 1.5 SPECIFIC GRAVITY
5. VOLUME 3000 U.S. GALLON

| | | | |
|--|--------------------------------|---------------|-----|
| DWG TITLE | | | |
| ABOVE GROUND VERTICAL TANK 3000 U.S. GALLONS | | | |
| SCALE: | DYNAMIC PLASTIC SOLUTIONS INC. | | DR: |
| DATE: 2/22/08 | 1-866-559-2357 | | CK: |
| PROJECT: | SHEET | COMPUTER FILE | REV |
| UCT3000 | 1 OF 1 | UCT3000 | |