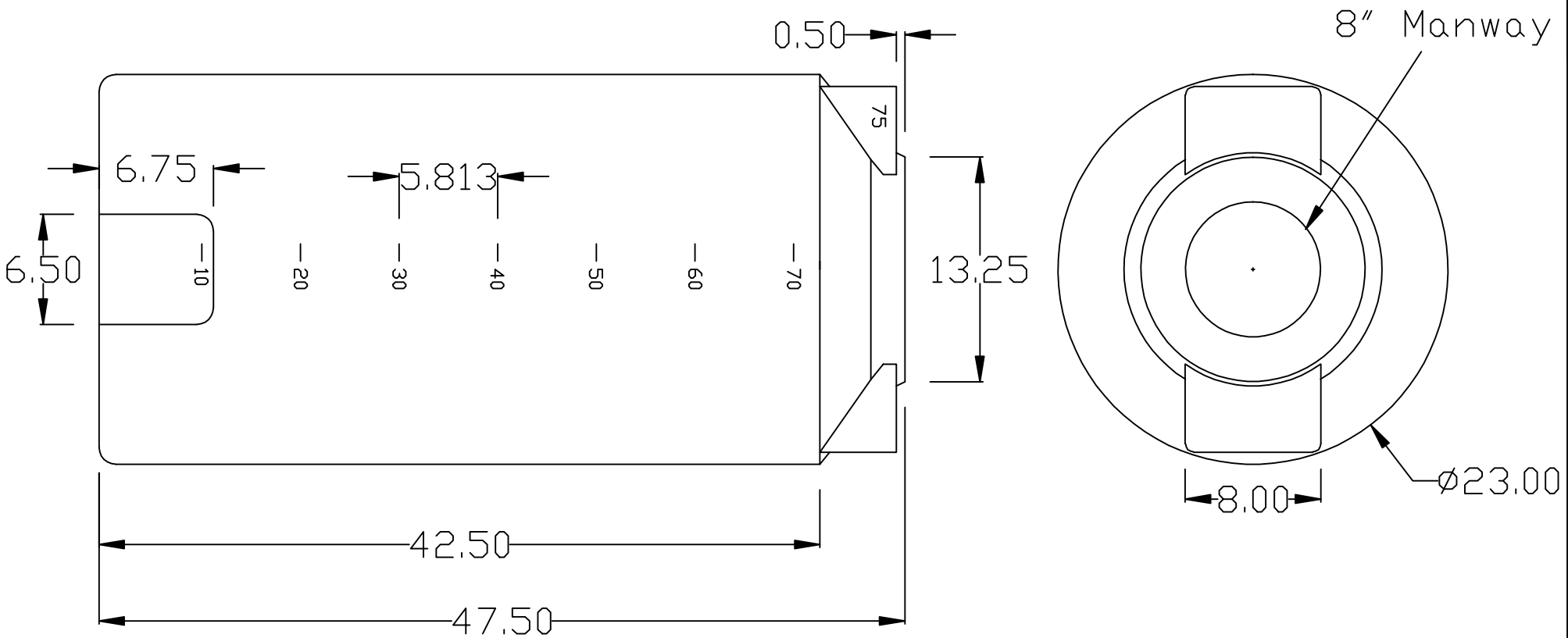


NOZZLE SCHEDULE & ACCESSORIES					
SERVICE	STOCK NO.	SIZE	FITTING	DEG	ELEV



- NOTES**
1. THIS IS A COMPUTER GENERATED DWG. DO NOT REVISE BY HAND.
 2. DIMENSIONS WILL VARY ±3% DUE TO VARIATIONS IN MULTIPLE MOLDS & CONDITIONS PREVALENT DURING MANUFACTURE & USAGE.
 3. MATERIAL OF CONSTRUCTION - HIGH DENSITY POLYETHYLENE
 4. TANK RATING 1.5 SPECIFIC GRAVITY
 5. VOLUME 75 U.S. GALLON

DWG TITLE				
ABOVE GROUND VERTICAL TANK 75 U.S. GALLONS				
SCALE:	DYNAMIC PLASTIC SOLUTIONS INC.			DR:
DATE: 2/08/08	1-866-559-2357			CK:
PROJECT:	SHEET	COMPUTER FILE	REV	
SS75	1 OF 1	SS75		