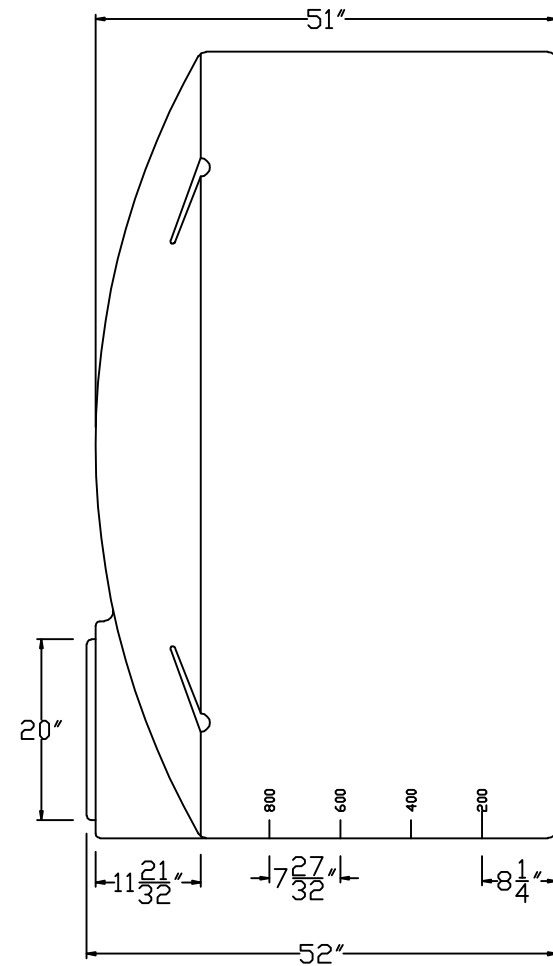
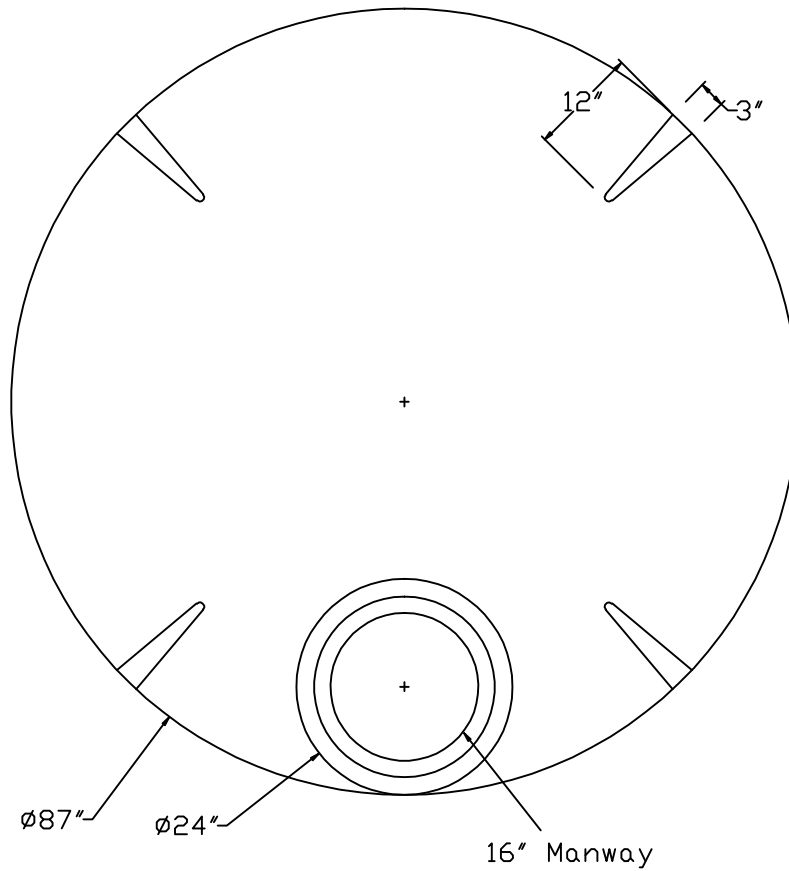


| NOZZLE SCHEDULE & ACCESSORIES |           |      |         |      |
|-------------------------------|-----------|------|---------|------|
| SERVICE                       | STOCK NO. | SIZE | FITTING | ELEV |
|                               |           |      |         |      |
|                               |           |      |         |      |



- NOTES**
1. THIS IS A COMPUTER GENERATED DWG. DO NOT REVISE BY HAND.
  2. DIMENSIONS WILL VARY  $\pm 3\%$  DUE TO VARIATIONS IN MULTIPLE MOLDS & CONDITIONS PREVALENT DURING MANUFACTURE & USAGE.
  3. MATERIAL OF CONSTRUCTION - HIGH DENSITY POLYETHYLENE
  4. TANK RATING 1.5 SPECIFIC GRAVITY
  5. VOLUME 1100 U.S. GALLON

|   |                                |               |     |
|---|--------------------------------|---------------|-----|
| DWG TITLE                                   |                                |               |     |
| ABOVE GROUND VERTICAL TANK 1100 U.S GALLONS |                                |               |     |
| SCALE:                                      | DYNAMIC PLASTIC SOLUTIONS INC. |               | DR: |
| DATE: 2/16/08                               | 1-866-559-2357                 |               | CK: |
| PROJECT:                                    | SHEET                          | COMPUTER FILE | REV |
| UCT1100                                     | 1 OF 1                         | UCT1100       |     |