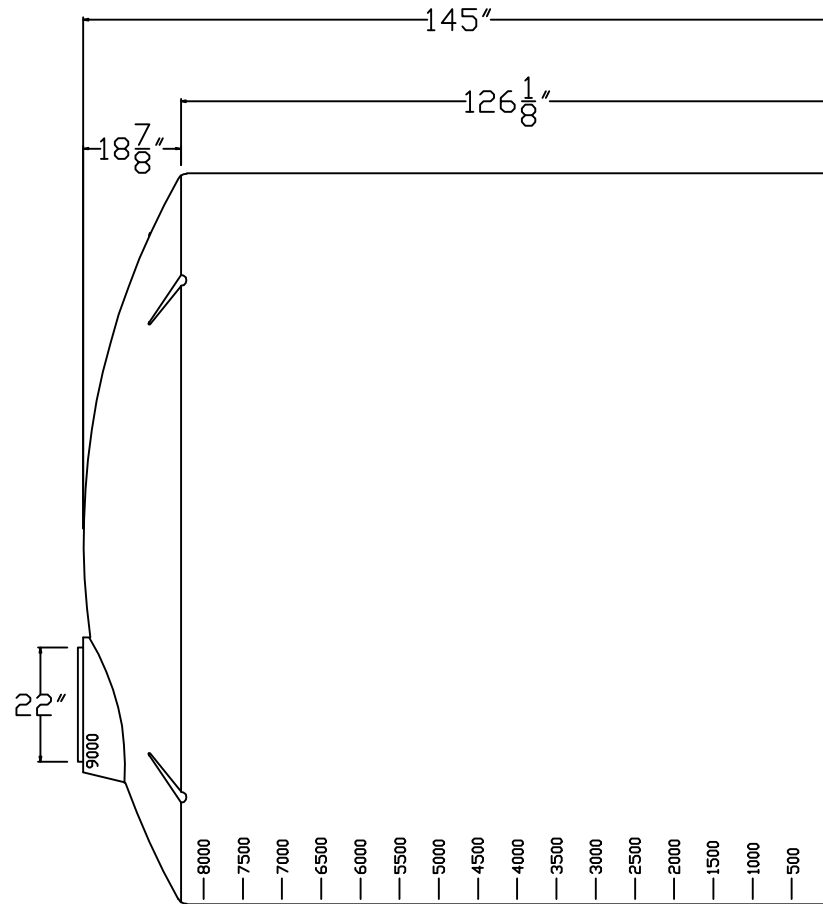
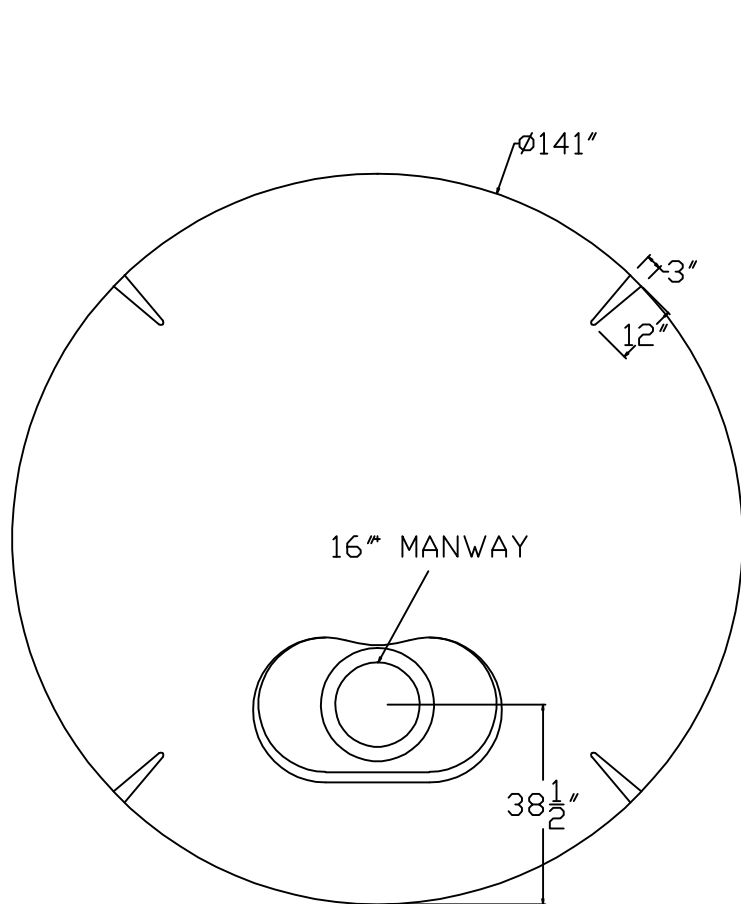


| NOZZLE SCHEDULE & ACCESSORIES | | | | |
|-------------------------------|-----------|------|---------|------|
| SERVICE | STOCK NO. | SIZE | FITTING | ELEV |
| | | | | |
| | | | | |



- NOTES**
1. THIS IS A COMPUTER GENERATED DWG. DO NOT REVISE BY HAND.
 2. DIMENSIONS WILL VARY $\pm 3\%$ DUE TO VARIATIONS IN MULTIPLE MOLDS & CONDITIONS PREVALENT DURING MANUFACTURE & USAGE.
 3. MATERIAL OF CONSTRUCTION - HIGH DENSITY POLYETHYLENE
 4. TANK RATING 1.5 SPECIFIC GRAVITY
 5. VOLUME 9000 U.S. GALLON

| | | | |
|--|--------------------------------|---------------|-----|
| DWG TITLE | | | |
| ABOVE GROUND VERTICAL TANK 9000 U.S. GALLONS | | | |
| SCALE: | DYNAMIC PLASTIC SOLUTIONS INC. | | DR: |
| DATE: 2/23/10 | 1-866-559-2357 | | CK: |
| PROJECT: | SHEET | COMPUTER FILE | REV |
| UCT9000 | 1 OF 1 | UCT9000 | |